

NOTICE

Read instructions before use

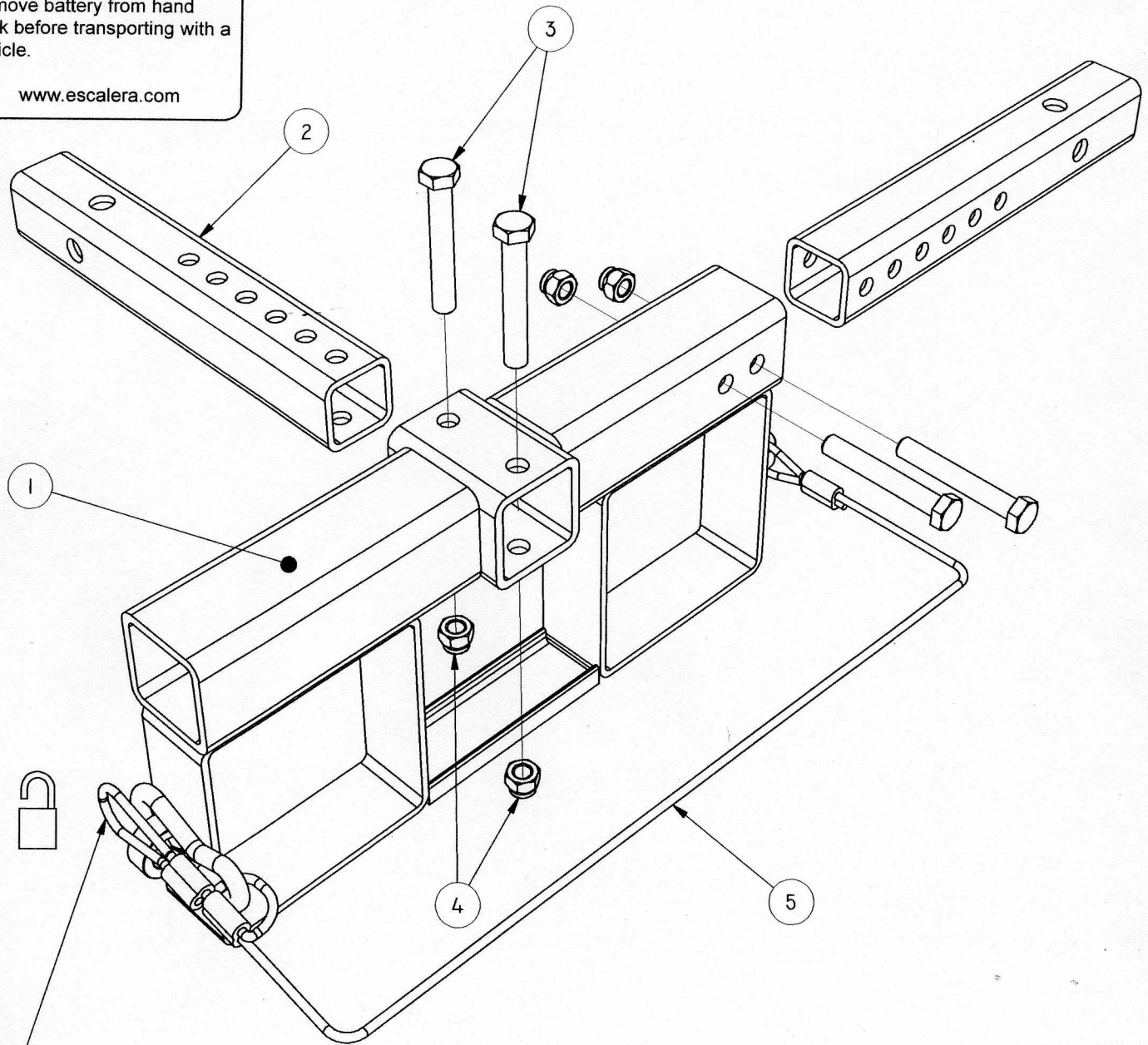
This product is designed for use with Escalera, Inc. forklift type hand trucks only. Improper usage may result in damage or injury.

Always be sure to tighten the forks securely in the LH-3 and attach the security cable prior to transportation.

Remove battery from hand truck before transporting with a vehicle.

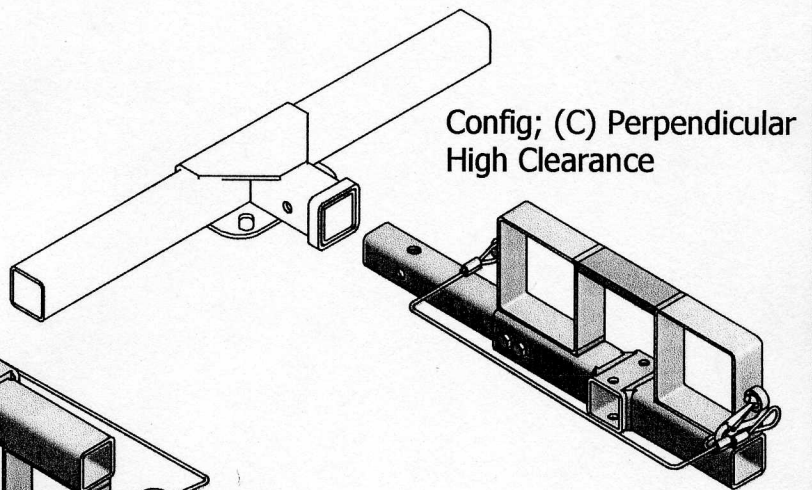
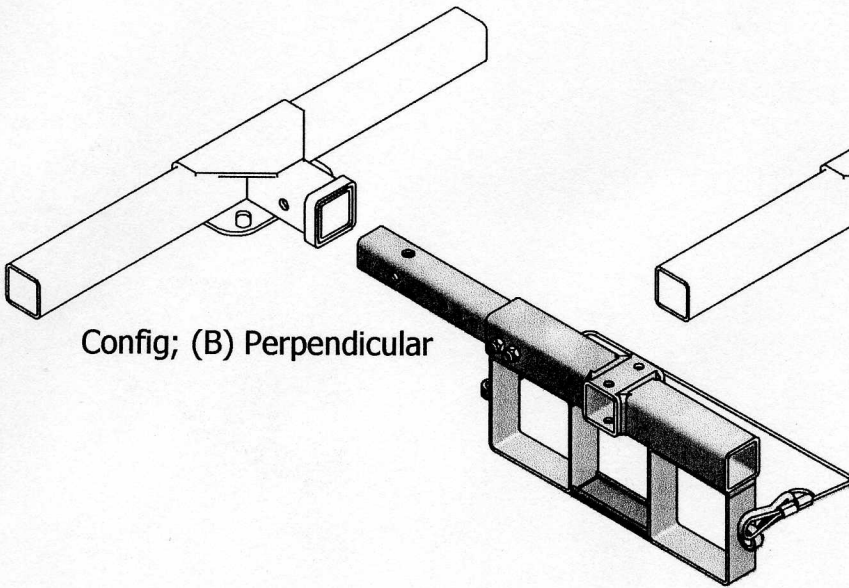
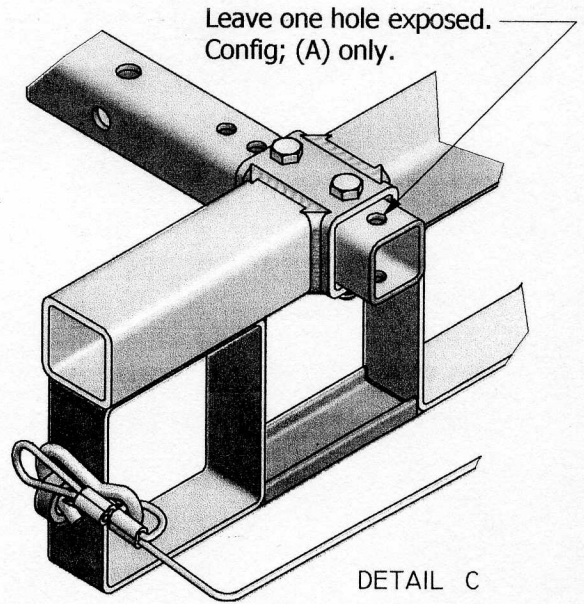
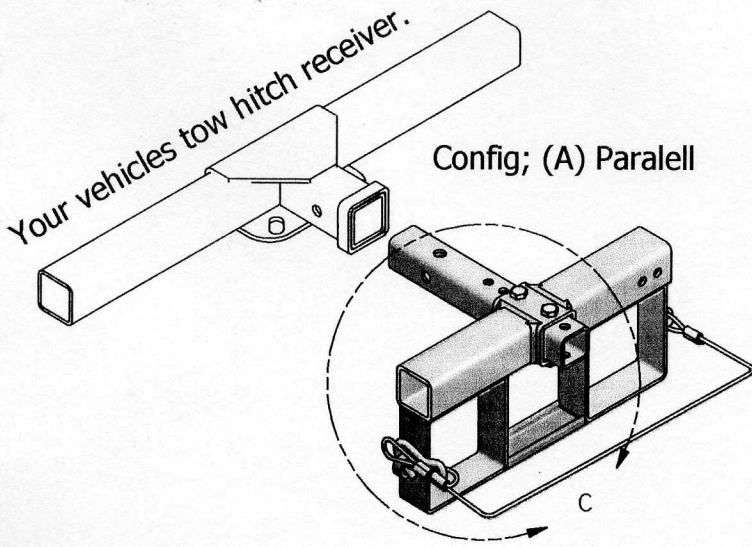
www.escalera.com

Parts List			
IT	P/N	TITLE	QT
1	0153	Weldment, LH-3 Body	1
2	0150	Stinger, LH-3	1
3	0299	Hex Bolt, 1/2-13UNC x 3-1/4"	2
4	0295	Hex Nut, 1/2-13UNC Nylock	2
5	152	Security Cable Assembly	1

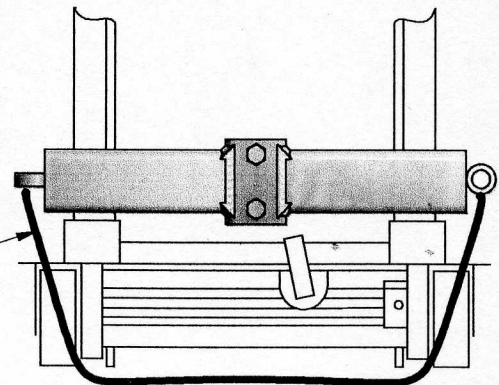


The loop at the end of the security cable can be used with a pad lock (not included) for theft protection.

All 3 configurations are relative to your vehicles rear bumper as indicated.
 Configuration (B) and (C) can be adjusted in or out to aquire preferred clearance.
 Make sure both bolts run through the LH-3 stinger and LH-3 body and are tighten securely.



The security Cable must be routed around the Escalera, Inc. Forklift Hand Truck as illustrated here. Hook the cable to the eyelet on the LH-3 Lift Hitch before transporting.





ESCALERA, INC.

PO BOX 1359 YUBA CITY, CA 95992

INFO@ESCALERA.COM

WWW.ESCALERA.COM

WWW.STAIRCLIMBER.COM

PHONE: (800) 622-1359

(530) 673-6318

FAX: (530) 673-6376

LH-3 Lift Hitch - INSTRUCTIONS

v 1.1

1/8/2008

WARNING: This product is designed for use with Escalera, Inc. forklift type hand trucks only. Improper usage may result in damage or injury.

STEP 1: Configuring the LH-3 and connecting to the receiver

Determine the proper configuration of the LH-3 for use with your vehicle. (see pg. 2)

After configuring the LH-3 for proper use with your vehicle, insert the stinger of the LH-3 into your receiver and secure with a locking hitch pin (not included).

STEP 2: Inserting the Escalera Forklift into the LH-3

With the forks lowered all the way down, tilt the Escalera Forklift to start the forks and legs through the body of the LH-3 Lift Hitch.

STEP 3: Sliding the Escalera Forklift completely into the LH-3

While keeping a firm grip on the Escalera Forklift, push on the top handles to slide the Escalera Forklift completely into the LH-3 Lift Hitch.

STEP 4: Securing the Escalera Forklift in the LH-3

Activate the winch to tighten the Escalera Forklift securely in the LH-3 Lift Hitch. The Escalera Forklift should be secure enough to prevent it from sliding out of the LH-3 without over-tightening the winch cable. Your Escalera Forklift should now fully inserted into the LH-3 Lift Hitch and be held tightly in place.

STEP 5: Attaching the safety cable

A safety cable is provided for added security and theft protection. Wrap the cable around the back of the Escalera Forklift and attach the hook to the eyelet as shown. As a theft deterrent, a padlock (not included) may be used to lock the cable in place.

SAFETY TIPS:

Remove battery from hand truck before transporting with a vehicle.

Use caution when driving over curbs or sloped driveways.

Always use caution when backing vehicle.

Double check all connections before driving with the LH-3 installed.